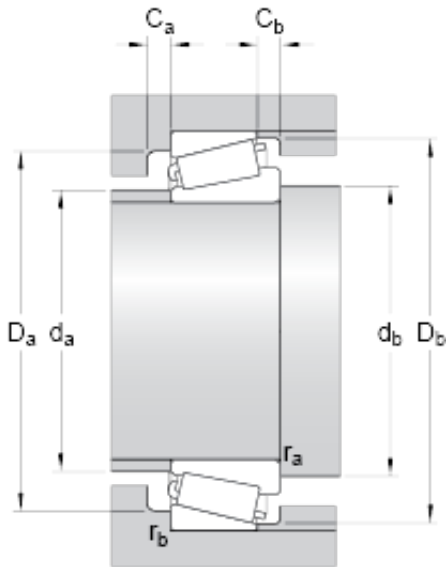




China abec 7 Bearing Supplier



30203 Bearing 2D drawings and 3D CAD models

SKF/ NSK/ NTN/Timken Brand High Standard Own Factory Tapered/Taper/Metric/Motor Roller Bearing 30203 30205 30207 30209 Auto, Agricultural Machinery Bearing

Bearing No. 30203

| | |
|---|-------------|
| Dimension series | 2DB |
| d | 17 mm |
| D | 40 mm |
| T | 13.25 mm |
| d ₁ | 29 mm |
| B | 12 mm |
| C | 11 mm |
| r _{1,2} min. | 1 mm |
| r _{3,4} min. | 1 mm |
| a | 9.515 mm |
| d _a max. | 23 mm |
| d _b min. | 23.5 mm |
| D _a min. | 34 mm |
| D _a max. | 34.5 mm |
| D _b min. | 37 mm |
| C _a min. | 2 mm |
| C _b min. | 2 mm |
| r _a max. | 1 mm |
| r _b max. | 1 mm |
| Basic dynamic load rating C | 23.4 kN |
| Basic static load rating C ₀ | 18.6 kN |
| Fatigue load limit P _u | 1.83 kN |
| Reference speed | 15000 r/min |
| Limiting speed | 18000 r/min |



China abec 7 Bearing Supplier

| | |
|--------------------------|----------|
| Calculation factor e | 0.35 |
| Calculation factor Y | 1.7 |
| Calculation factor Y_0 | 0.9 |
| Mass bearing | 0.079 kg |