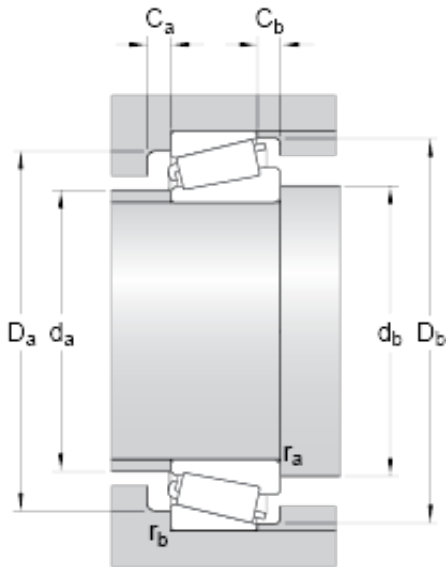




China abec 7 Bearing Supplier



30207 Bearing 2D drawings and 3D CAD models

SKF/NTN/NSK 30207 Tapered Roller Bearing/High Quality/High Speed Tapered Roller Bearing/Auto Bearing

Bearing No. 30207

Dimension series	3DB
d	35 mm
D	72 mm
T	18.25 mm
d ₁	51.95 mm
B	17 mm
C	15 mm
r _{1,2} min.	1.5 mm
r _{3,4} min.	1.5 mm
a	14.955 mm
d _a max.	44 mm
d _b min.	43.5 mm
D _a min.	62 mm
D _a max.	64.5 mm
D _b min.	67 mm
C _a min.	3 mm
C _b min.	3 mm
r _a max.	1.5 mm
r _b max.	1.5 mm
Basic dynamic load rating C	63.2 kN
Basic static load rating C ₀	56 kN
Fatigue load limit P _u	6.1 kN
Reference speed	8000 r/min
Limiting speed	9500 r/min
Calculation factor e	0.37



China abec 7 Bearing Supplier

Calculation factor Y	1.6
Calculation factor Y_0	0.9
Mass bearing	0.33 kg