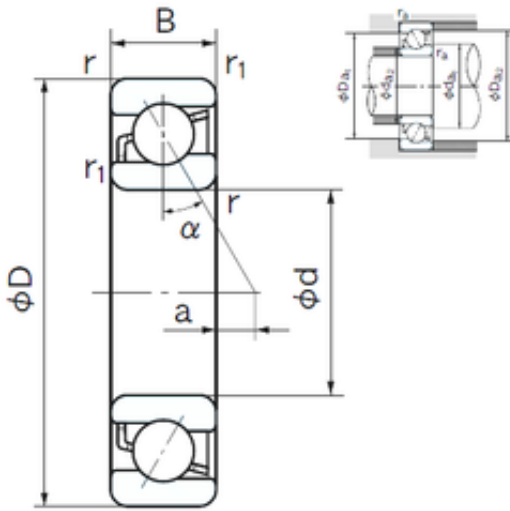




China abec 7 Bearing Supplier



7207 Bearing 2D drawings and 3D CAD models

Quality Tapered Roller Bearing Large Stock
7207 for Truck Car Auto NTN NSK NMB Koyo
NACHI Timken Spherical Roller Bearing/Angular
Contact Ball

Bearing No. 7207

Size	35x72x17 mm
Bore Diameter	35 mm
Outer Diameter	72 mm
Width	17 mm
d	35 mm
D	72 mm
B	17 mm
C	17 mm
Angle (°)	30 °
a	6.9 mm
r min.	1.1 mm
r1 min.	0.6 mm
da min.	42 mm
Da max.	65 mm
ra max.	1 mm
Weight	0.295 Kg
Basic dynamic load rating (C)	29,7 kN
Basic static load rating (C0)	20 kN
(Grease) Lubrication Speed	8500 r/min
Configuration	Single Row
Enclosure	Open
Bore Type	Cylindrical Bore
Bore Size	35 mm



China abec 7 Bearing Supplier

Outside Diameter	72 mm
Width	17 mm
Fillet Radius/Chamfer	1.1 mm
r1	0.6 mm
Dynamic Load Rating	29,700 N
Static Load Rating	20,000 N
Limiting Speed - Grease	8,500 rpm
Limiting Speed - Oil	11,000 rpm
da1 (min)	42 mm
da2 (min)	40 mm
Da1 (max)	65 mm
Da2 (max)	67 mm
ra (max)	1 mm
ra1 (max)	0.6 mm